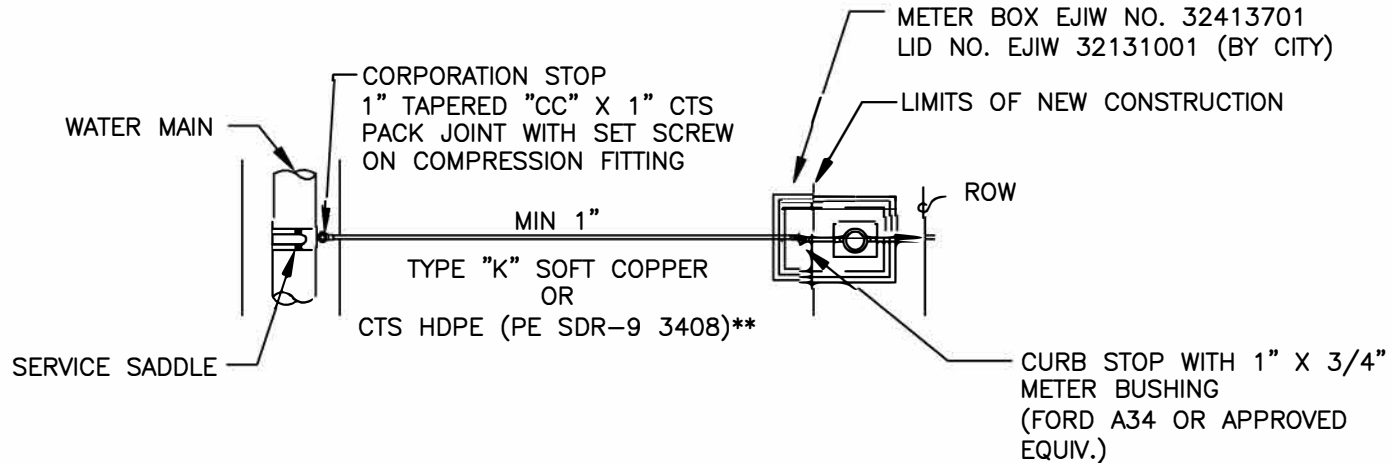


RESIDENTIAL WATER SERVICE

SINGLE SERVICE (TYP)



SHEET 1 OF 1

CITY OF TEMPLE
ENGINEERING DEPARTMENT

TEMPLE, TX 76761-4002

SINGLE RESIDENTIAL
WATER SERVICE DETAIL

SCALE
N.T.S.

2820 E. Avenue H, Bldg. A



SINGLE SERVICE CONNECTION FITTINGS *

	SERVICE SADDLE	CORPORATION STOP	CURB STOP
FORD	FC-202	F1000-4	B43444W
MUELLER	DR2S	P15008	P24350
SMITH BLAIR (DOMESTIC ONLY)	315	--	--
MCDONALD	--	4701-22	6100M-22

* OR APPROVED EQUIVALENT MANUFACTURER

** HDPE SERVICES SHALL BE GRADE "A" VIRGIN MATERIAL, SLEEVED IN SCH 40 PVC, AND BEDDED IN SAND 3" ABOVE AND 3" BELOW PIPE